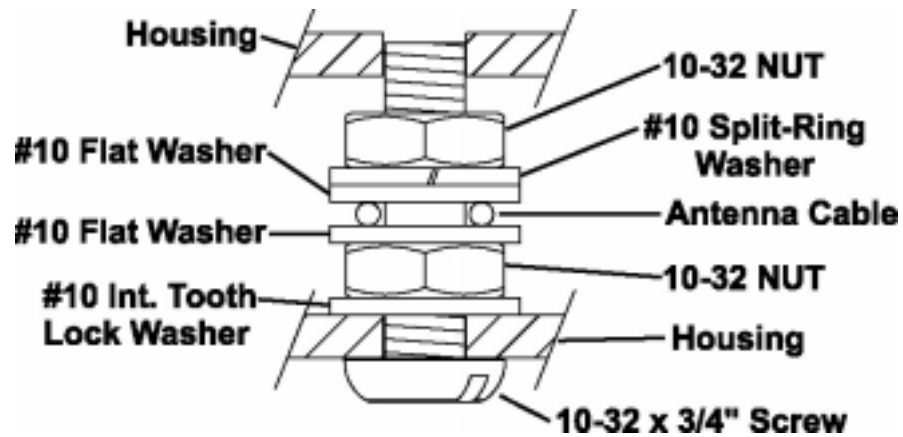
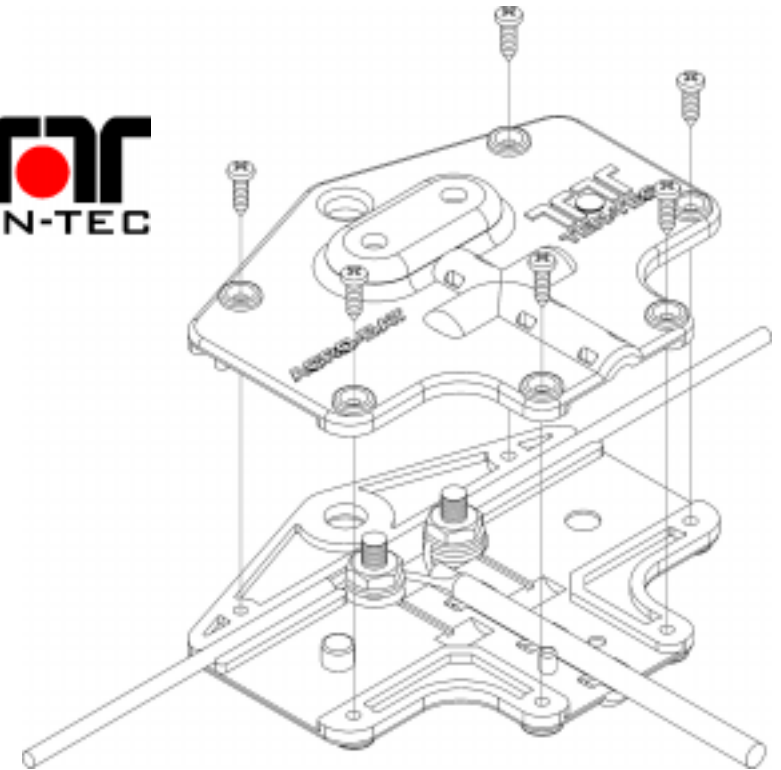


# TEN-TEC ACRO-BAT Antenna Connector & Hanger

Model 3003



**Detail of recommended  
hardware assembly.**



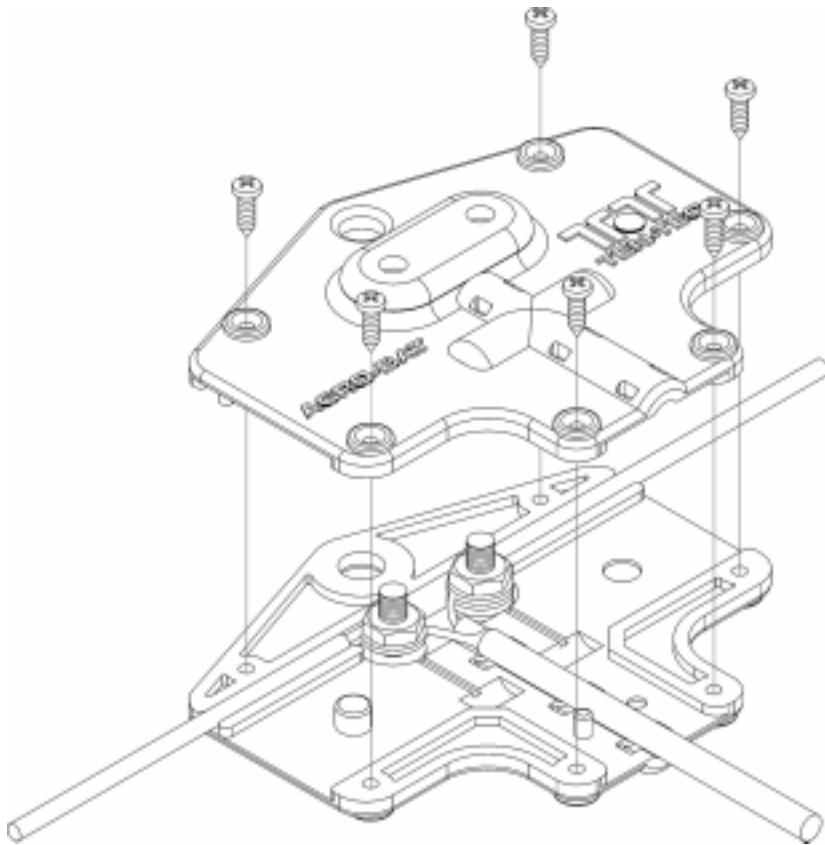
**The Acro-Bat Antenna Hanger Kit includes the following items.**

Qty	TT Part #	Description
2	93740	Universal Antenna Hanger Body Half.
6	65068	#4 x 3/8" 18-8 Stainless Steel Pan Head Screw.
2	60112	#10-32 x 3/4" 18-8 Stainless Steel Pan Head Bolt.
4	51072	#10 18-8 Stainless Steel Flat Washer.
2	51073	#10 18-8 Stainless Steel Split Washer.
4	54049	#10-32 18-8 Stainless Steel Machine Nut.
2	51074	#10 410 Stainless Steel Internal Tooth Lock Washer.
1	74397	Instruction Sheet.

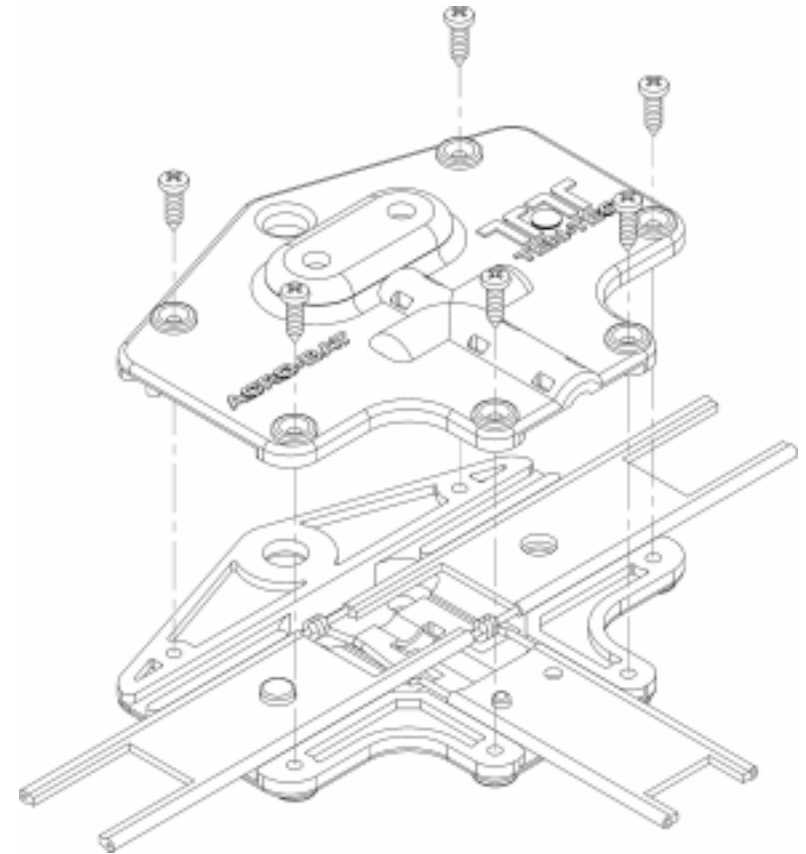


**Ten-Tec**  
**1185 Dolly Parton Pkwy**  
**Sevierville, TN 37862**  
**Phone (865) 453-7172**  
**Fax (865) 428-4483**

Thank you for purchasing the Ten-Tec Model 3003 Universal Antenna Hanger. Also known as the Acro-Bat, this unique hanger allows standard wire or ladder-line to be used for the antenna and either RG-58 type coax or ladder-line at the feed point. The Acro-Bat also includes a reinforced rope-hole. The Acro-Bat is constructed of UV resistant, high-stability Trirex Polycarbonate plastic designed to endure outdoor use. This is the same plastic used by your electric company for the clear enclosure on your power meter. We've also included rust resistant stainless steel hardware in your Model 3003 kit.



Acro-Bat used to connect solid wire to RG-58 coax cable.



Acro-Bat used to connect ladder-line to ladder-line

The antenna hanger may be sealed to protect the internal connections from the weather. RTV or other caulking material (not included) may be applied to the mating surfaces of the Acro-Bar before the halves are assembled. Once the halves are assembled additional sealant should be applied to points where wire or hardware, such as wire ties, attach the to the hanger.